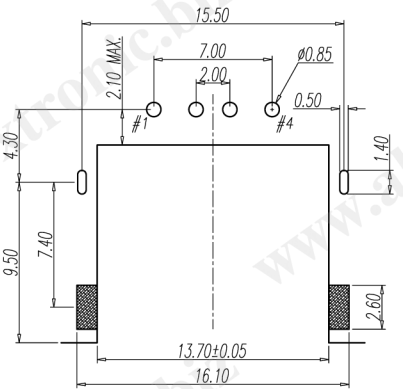
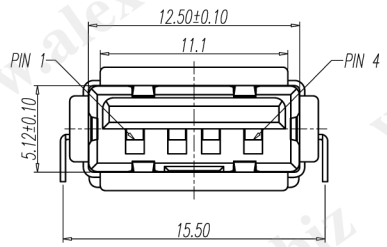


CATEGORY	DESCRIPTION	P/N #
CONNECTOR	USB A FEMALE, RIGHT ANGLE, THROUGH HOLE	UB1043-11F10-001C

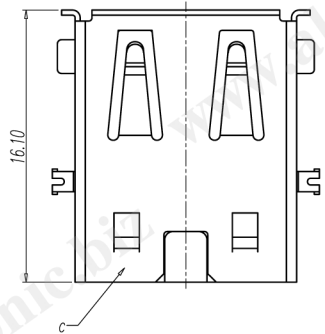
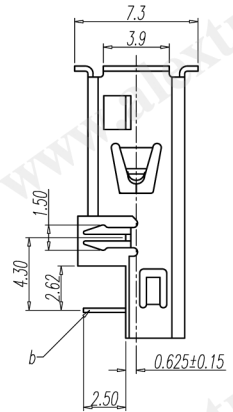
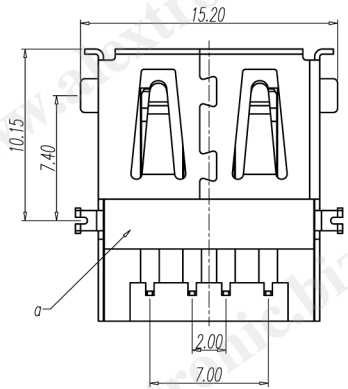
REV.	ECN NO	DESCRIPTION	REVISED	DATE
A01		New Release	XSY	2009.07.15



Specifications:

1. Rated Current: 1.5A @ 250V AC
2. Contact resistance: 30mΩ MAX.
3. Insulation resistance: 1000MΩ MIN.
4. Dielectric withstand: 500V AC for 1 minute
5. Operating temperature: -55°C~+85°C
6. Insert force: 35N MAX.
7. Withdraw force: 10N MIN.

Recommend PCB Layout
(Jack Top View)
Tolerance: ±0.05mm
Recommend PCB Thickness: 1.2mm



NO.	PART NAME	Q'TY	MATERIAL	PLATING & COLOR	Remark
c	Shell	1	BRASS T=0.30mm	Ni Plating	
b	Terminal	4	BRASS T=0.25mm	Au Plating	
a	Housing	1	LCP UL94V-0	Black	

UNLESS OTHERWISE SPECIFIED TOLERANCES		SCALE: 1/1	UNIT: mm	DWG. NO:	
		SIZE: A3	PAGE: 1 OF 1	REV: A01	WI-061-504
DECIMALS:	ANGLES:	APPROVED BY	CHECKED BY	PREPARED BY	
X : ±0.5	X : ±2°	WYX	Pengjie	XSY	
X.X : ±0.3	X.X : ±1°	CUSTOMER COPY			
X.XX : ±0.2					

Product Drawing
ALEXTRONIC